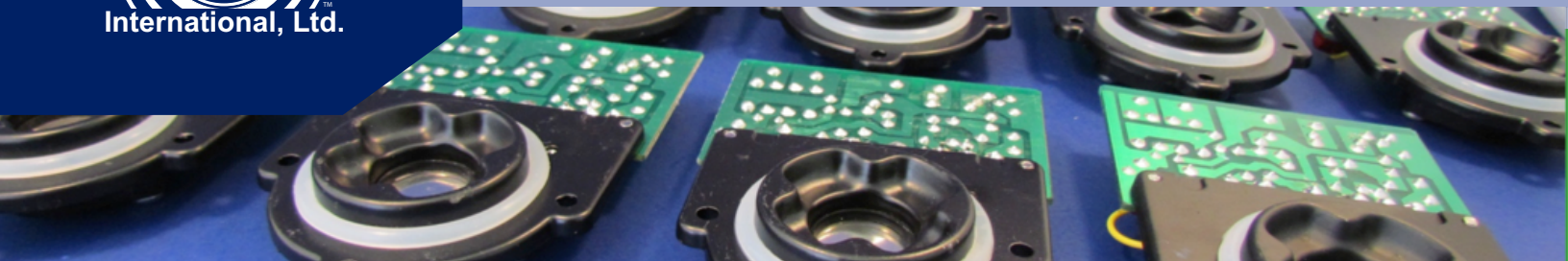
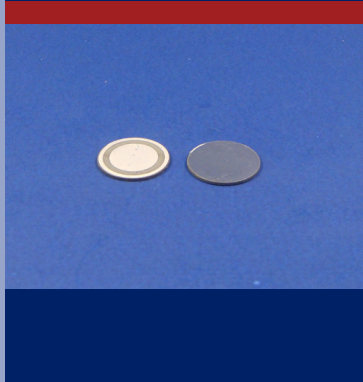




1.65MHz Nebulizer Crystal



#50-1014

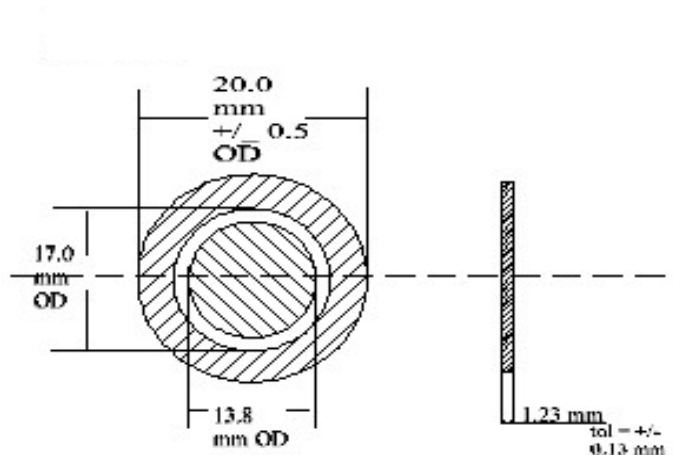


FEATURES

- For Use with Piezo Ultrasonic Nebulizer
- Wrap-Around “bullseye” Electrode for Easy Connection
- Available in 1.65MHz with Stainless Steel Connection
- Other Coatings Available Upon Request

TECHNICAL SPECIFICATIONS

Resonant Frequency	1.65MHz ±10%
Residence Impedance	< 5 Ohms
Capacitance @ 1kHz	1.90 nF ±30%
Dissipation Factor @ 1kHz	< 0.5%
d33	300 ±30%
Water Quality	Drinking Water
Minimum Water Level	30mm
Dimensions	4.25” x 2.75” x 0.875”
Average Water Droplet Size	~ 2 um



Rev. 4/25/14