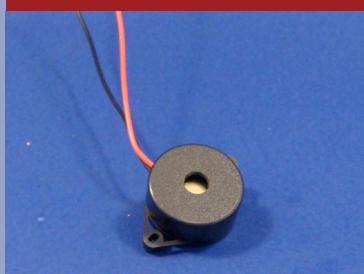


## #30-1280



KPI-2210L

### FEATURES

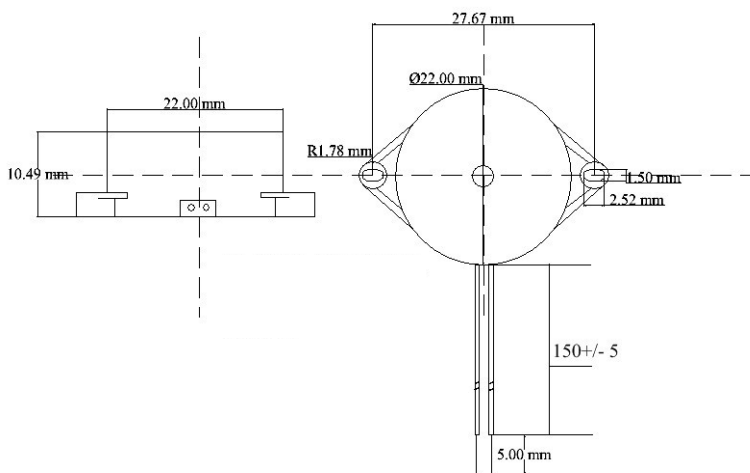
- Low Cost/ High Sound Outputs
- Variety of Sizes/Frequencies
- Competitive Pricing
- Fast Delivery

### APPLICATIONS

- Alarms/Warning Devices
- Automobile Alarms
- Pest Deterrents
- Computer Devices
- Telephones

### TECHNICAL SPECIFICATIONS

Rated Voltage	12 VDC
Operating Voltage	3~30VDC
Max Rated Current	15mA at 12VDC
Resonant Frequency	4.2±0.5kHz
Minimum Sound Pressure Level	85dB at 12VDC/30cm
Tone Nature	Continuous
Shell Material / Color	ABS/Black
Operating Temperature	-20~+80C
Store Temperature	-30~+100 C
Weight	6 grams
Outer Diameter	22.00 mm
Housing Length	27.67 mm
Lead Length	150 mm



Rev. 4/25/14